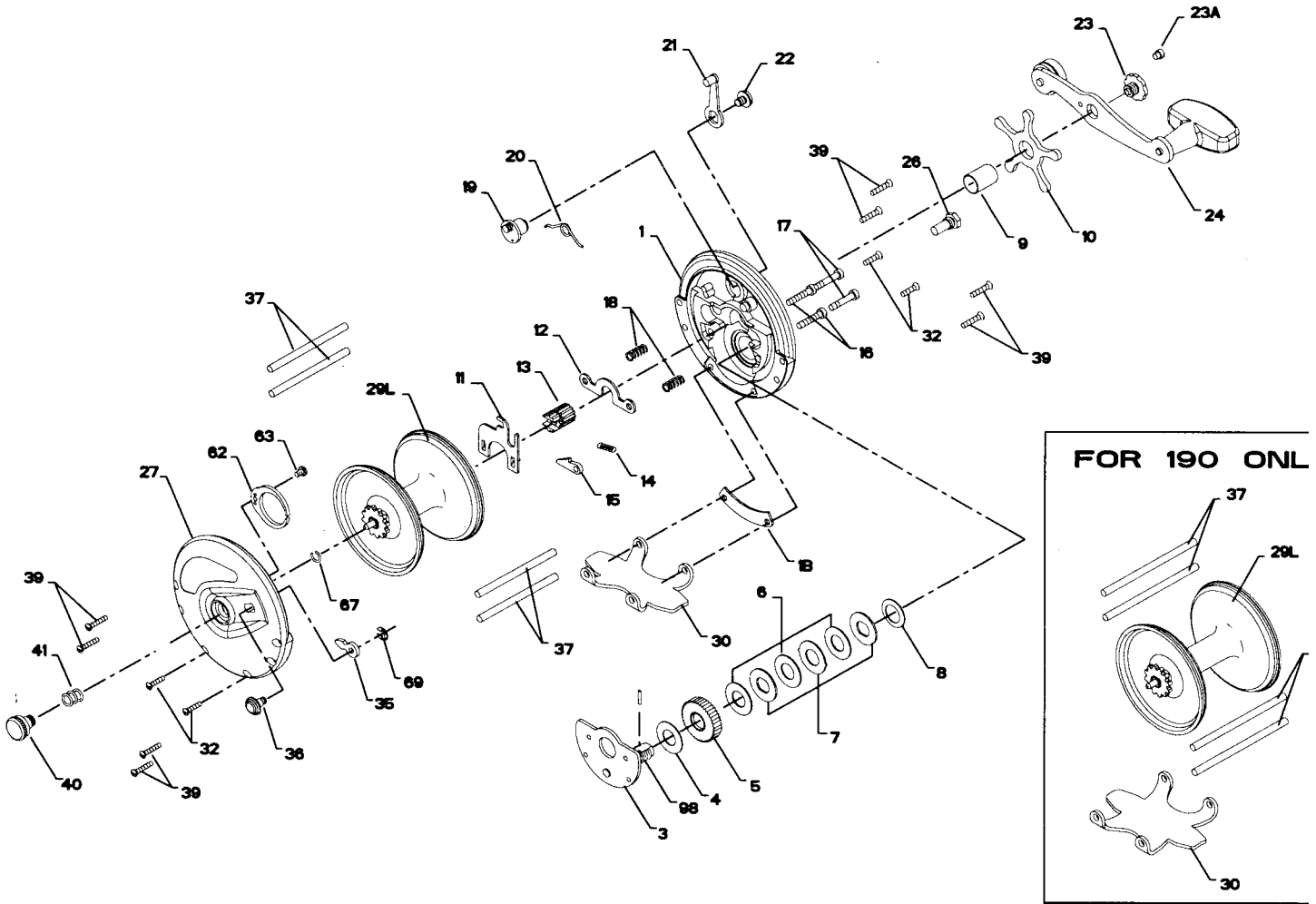




PARTS AND PRICE LIST FOR MODELS 185 AND 190



Key No.	Part No.	Description	Price
1	1-185	Right Side Plate	\$3.50
1B	1B-185	Gear Cover	.50
3	3-185	Bridge w/Sleeve	4.50
4	4-60	Fiber Washer	.40
5	5-185	Main Gear	4.50
6	6-309	Drag Washer (3 req.)	.80
7	7C-500	Metal Washer Set	3.00
8	8-60	Tension Spring	.50
9	9-60	Spacing Sleeve	.90
10	10-60	Star Drag Wheel	2.50
11	11-185	Eccentric Jack	1.00
12	12-60	Pinion Yoke	.90
13	13-185	Pinion	3.10
14	14-99	Dog Spring	.40
15	15-85	Dog	.90
16	16-60	Lower Bridge Screw	.40
17	17-60	Upper Bridge Screw	.40
18	18-60	Clutch Spring	.40
19	19-330	Eccentric	1.90
20	20-155	Eccentric Spring	.40
21	21-285	Eccentric Lever	1.50
22	22-60	Eccentric Screw	.50
23	23-60	Handle Screw	1.70

Key No.	Part No.	Description	Price
23A	110-60	Handle Lock Screw	\$.40
24	24N-310	Handle	5.50
26	26-60	Right Side Bearing	1.80
27	27-185	Left Side Plate	4.00
	27-190	Left Side Plate	4.10
29L	29L-85	Spool (185)	14.95
	29L-190	Spool	15.00
30	30-85	Stand	5.00
	30-65	Stand (190)	5.50
32	32-14	Stand Screw (4 req.)	.40
35	35-60	Click Tongue	.90
36	36-185	Click Button	1.10
37	37-111	Frame Post (185)	1.65
	37-65	Frame Post (190)	1.65
39	39-4	Side Plate Screw (8 req.)	.40
40	40-185	Left Side Bearing	3.00
41	41-60	Left Side Bearing Spring	.80
62	62M-309	Click Spring	1.50
63	63-330	Click Spring Screw	.80
67	67-185	Lock Ring	.40
69	69B-600	Retaining Ring	.90
98	98-60	Gear Sleeve	4.00